
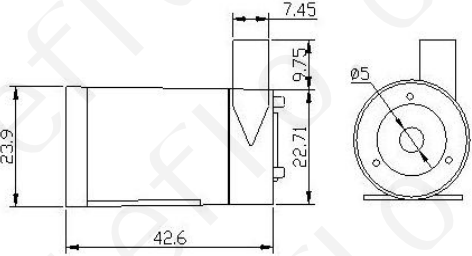

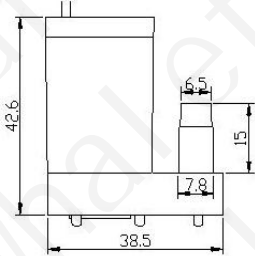

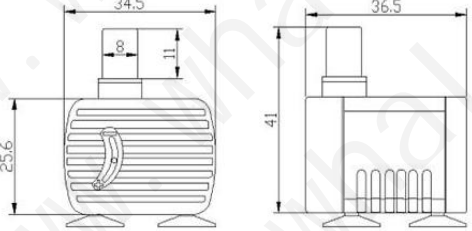

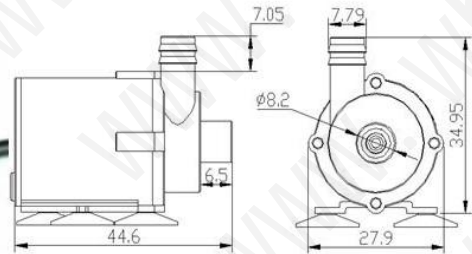

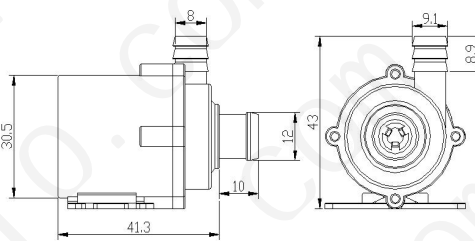

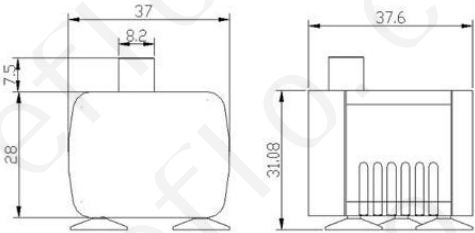

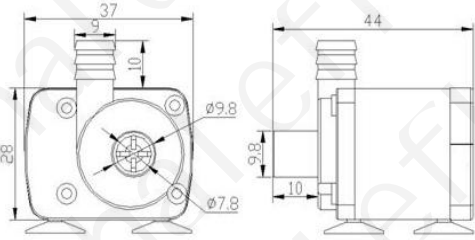

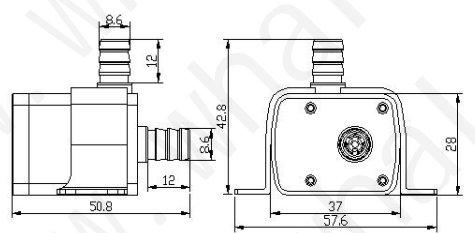

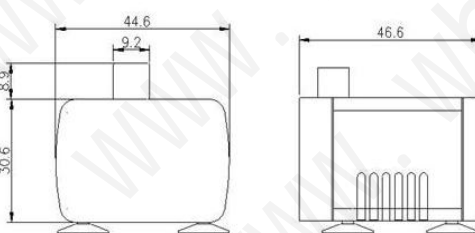



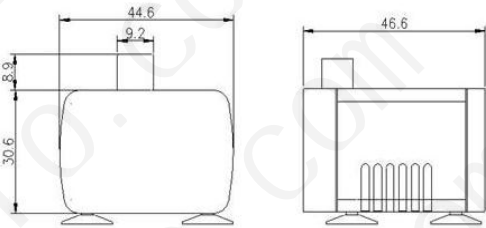

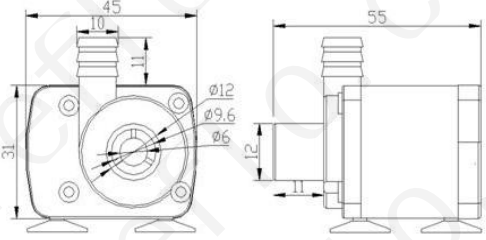

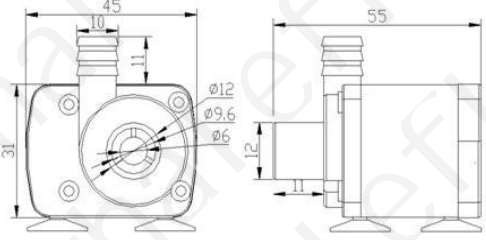

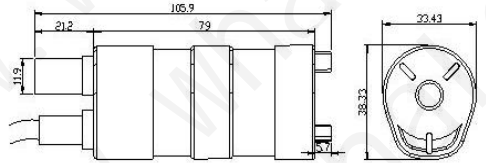

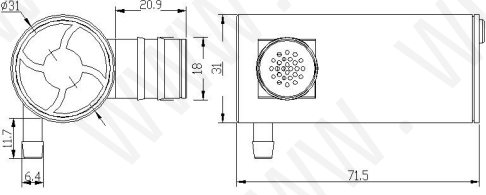
XIAMEN WHALEFLO INDUSTRY AND TRADE CO., LTD


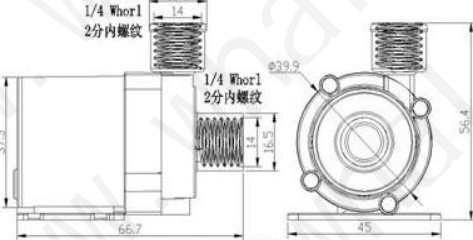
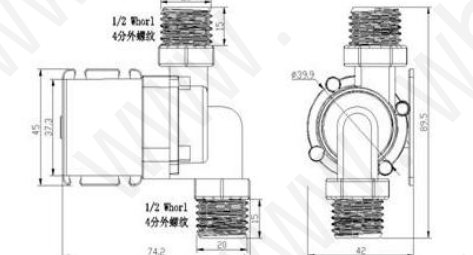
DC Water Pump


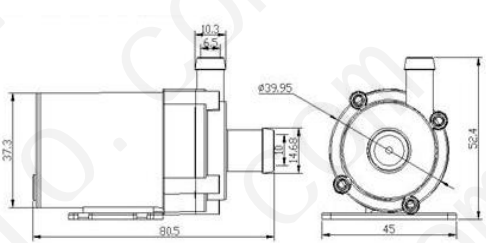

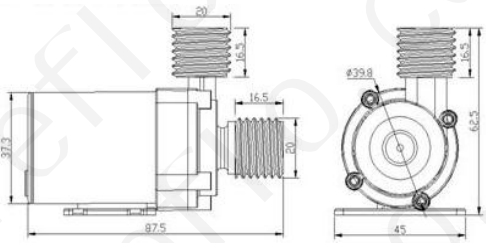

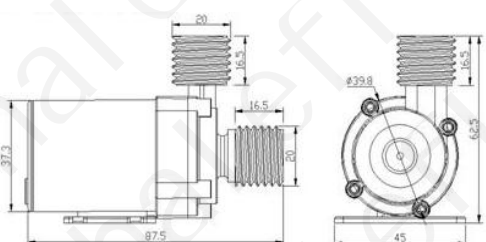

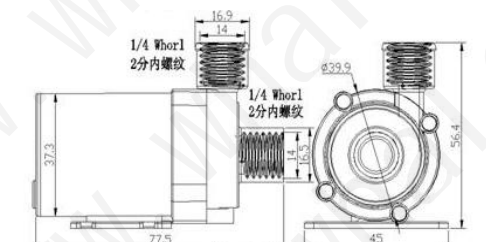

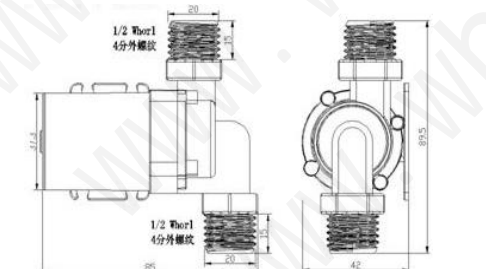
www.whaleflo.com
email: casey@whaleflopump.com



Model	pic	size	specification
WEL-DC3W			Input Voltage: DC3-4.5V Working Current: 80-150MA Max Head: 50CM Max Flow: 100L/H cable length: 20CM
WEL-DC3L			Input Voltage: DC3-4.5V Working Current: 80-150MA Max Head: 50CM Max Flow: 100L/H cable length: 20CM
WEL-1020			Input Voltage: DC5-12V Working Current: 130-280MA Max Head: 160CM Max Flow: 250L/H
WEL-160			Input Voltage: DC4-6V/6-12V Working Current: 160CM/320MA Max Head: 120CM/210CM Max Flow: 200L/H


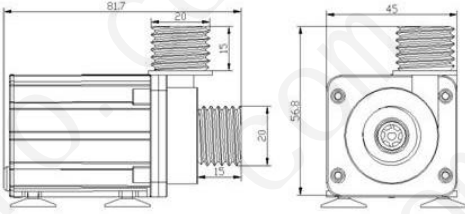

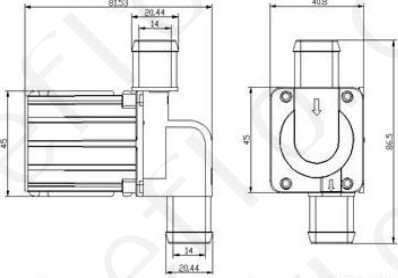

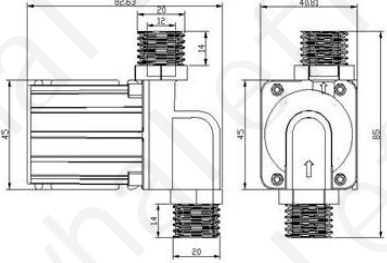

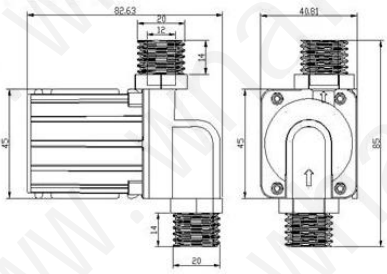

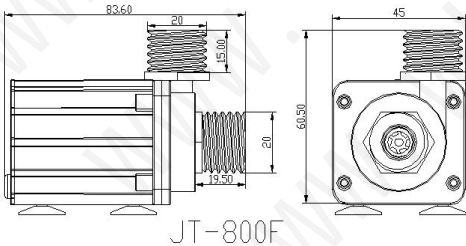
WEL-160A			<p>Input Voltage: DC4-6V/6-12V Working Current: 160CM/320MA Max Head: 120CM/210CM Max Flow: 200L/H</p>
WEL180			<p>Input Voltage: DC3-6V/6-12V Working Current: 180/350MA Max Head: 100/230CM Max Flow: 350L/H</p>
WEL-180A			<p>Input Voltage: DC3-6V/6-12V Working Current: 180/360MA Max Head: 120/250CM Max Flow: 350L/H weight: 80G</p>
WEL-180B			<p>Input Voltage: 6-12V Working Current: 360MA Max Head: 300CM Max Flow: 350L/H weight: 92G</p>
WEL-280			<p>Input Voltage: DC4.5-12V Working Current: 380MA Max Head: 200CM Max Flow: 400L/H</p>


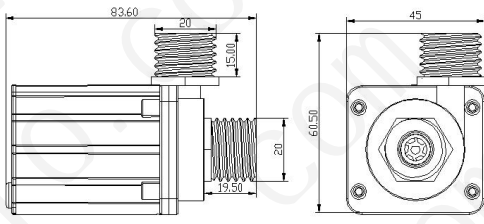

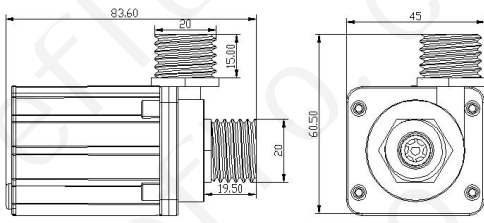

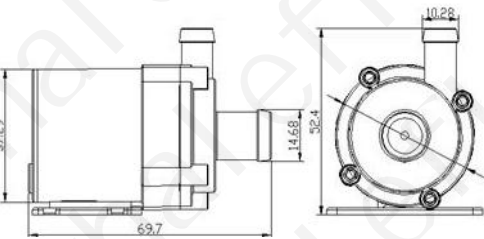

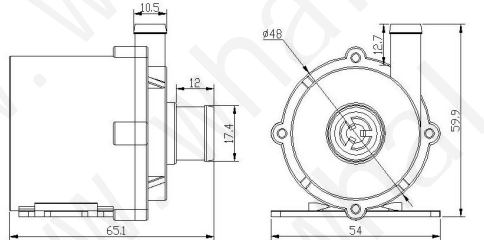

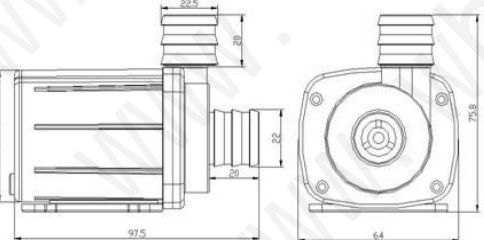
<p>WEL-280T WEL-280-24v</p>			<p>Input Voltage: DC12V/24V Working Current: 650/600MA Max Head: 300/350CM Max Flow: 600L/H</p>
<p>WEL-280A</p>			<p>Input Voltage: DC4.5-12V Working Current: 380MA Max Head: 200CM Max Flow: 400L/H</p>
<p>WEL-280AT WEL-280-24V</p>			<p>Input Voltage: DC12V/24V Working Current: 650/600MA Max Head: 300/350CM Max Flow: 600L/H</p>
<p>WEL-500</p>			<p>Input Voltage: DC12V Working Current: 1200MA Max Head: 500CM Max Flow: 600L/H Black Cable lenth:1.5M 5.5*2.1</p>
<p>WEL-510</p>			<p>Input Voltage: DC12V Working Current: 1400MA Max Head: 800CM Max Flow: 500L/H Black Cable lenth:1.5M 5.5*2.1</p>


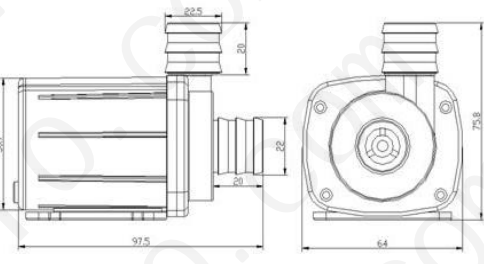

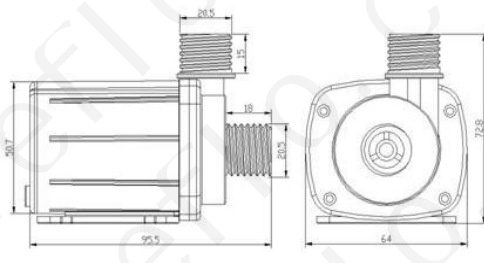

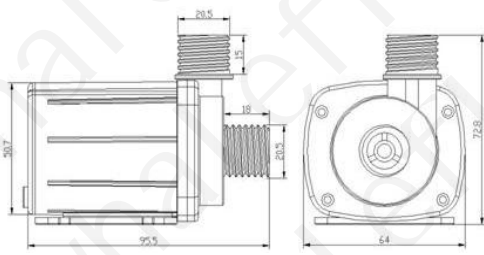

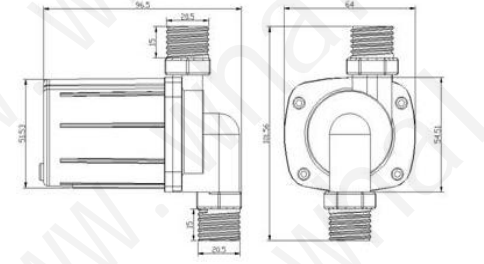

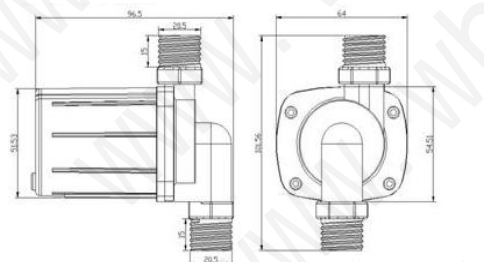
<p>WEL-550</p>			<p>Input Voltage: DC12V Working Current: 1900MA Max Head: 500CM Max Flow: 1000L/H Black Cable lenth:1.5M 5.5*2.1</p>
<p>WEL-600A</p>			<p>Input Voltage: DC12V/24V Working Current: 850/750MA Max Head: 350/500CM Max Flow: 600L/H</p>
<p>WEL-600B</p>			<p>Input Voltage: DC12V/24V Working Current: 850/750MA Max Head: 350/500CM Max Flow: 600L/H</p>
<p>WEL-600C</p>			<p>Input Voltage: DC12V/24V Working Current: 850/750MA Max Head: 350/500CM Max Flow: 600L/H</p>
<p>WEL-600D</p>			<p>Input Voltage: DC12V/24V Working Current: 850/850MA Max Head: 300/450CM Max Flow: 800L/H weight: 200G</p>


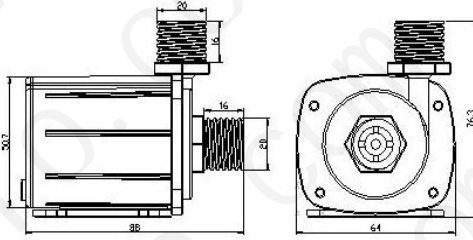

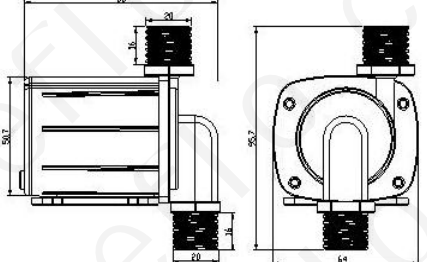
<p>WEL-660A</p>			<p>Input Voltage: DC12V/24V Working Current: 1200/1150MA Max Head: 500/700CM Max Flow: 900L/H</p>
<p>WEL-660B</p>			<p>Input Voltage: DC12V/24V Working Current: 1200/1150MA Max Head: 500/700CM Max Flow: 900L/H</p>
<p>WEL-660B3 Three-phase with water overcurrent protection function</p>			<p>Input Voltage: DC12V/24V Working Current: 1200/1150MA Max Head: 600/900CM Max Flow: 1000L/H</p>
<p>WEL-660C</p>			<p>Input Voltage: DC12V/24V Working Current: 1200/1150MA Max Head: 500/700CM Max Flow: 900L/H</p>
<p>WEL-660D</p>			<p>Input Voltage: DC12V/24V Working Current: 1250/1200MA Max Head: 380/550CM Max Flow: 1200L/H</p>

WEL-800A			<p>Input Voltage: DC12V/24V Working Current: 1200/1150MA Max Head: 500/700CM Max Flow: 900L/H</p>
WEL-800AX			<p>Input Voltage: DC12V/24V Working Current: 1200/1150MA Max Head: 500/700CM Max Flow: 900L/H</p>
WEL-800E			<p>Input Voltage: DC12V/24V Working Current: 1300/1250MA Max Head: 600/900CM Max Flow: 650L/H</p>
WEL-800EX			<p>Input Voltage: DC12V/24V Working Current: 1300/1250MA Max Head: 600/900CM Max Flow: 650L/H</p>
WEL-800B			<p>Input Voltage: DC12V/24V Working Current: 1200/1150MA Max Head: 500/700CM Max Flow: 900L/H</p>

<p>WEL-800BX</p>			<p>Input Voltage: DC12V/24V Working Current: 1200/1150MA Max Head: 500/700CM Max Flow: 900L/H</p>
<p>WEL-800C</p>			<p>Input Voltage: DC12V/24V Working Current: 1200/1150MA Max Head: 400/600CM Max Flow: 900L/H</p>
<p>WEL-800D</p>			<p>Input Voltage: DC12V/24V Working Current: 1200/1150MA Max Head: 400/600CM Max Flow: 900L/H</p>
<p>WEL-800DX</p>			<p>Input Voltage: DC12V/24V Working Current: 1200/1150MA Max Head: 400/600CM Max Flow: 900L/H</p>
<p>WEL-800F</p>		 <p>JT-800F</p>	<p>Input Voltage: DC12V/24V Working Current: 1300/1200MA</p>

<p>WEL-800FX</p>			<p>Max Head: 600/900CM Max Flow: 650L/H</p>
<p>WEL-800FX Three-phase water separation overcurrent protection</p>			<p>Input Voltage: DC12V/24V Working Current: 1300/1200MA Max Head: 700/1100CM Max Flow: 650L/H</p>
<p>WEL-600A Three-phase ultra-quiet water heating bed heat pump</p>			<p>Input Voltage: DC12V Working Current: 300MA Max Head: 250CM Max Flow: 500L/H</p>
<p>WEL-900 Three-phase ultra-quiet water heating bed heat pump</p>			<p>Input Voltage: DC12V Working Current: 350MA Max Head: 1.5-2.5CM Max Flow: 600L/H</p>
<p>WEL-1000A</p>			<p>Input Voltage: DC12V/24V Working Current: 1500/2000MA Max Head: 300/500CM Max Flow: 1500/2000L/H</p>

<p>WEL-1000A3-24</p>			<p>Input Voltage: DC12V/24V Working Current: 3000/3500MA Max Head: 500/700CM Max Flow: 2000/3000L/H</p>
<p>WEL-1000B</p>			<p>Input Voltage: DC12V/24V Working Current: 1500/2000MA Max Head: 300/500CM Max Flow: 1500/2000L/H</p>
<p>WEL-1000B3-24</p>			<p>Input Voltage: DC12V/24V Working Current: 3000/3500MA Max Head: 500/700CM Max Flow: 2000/3000L/H Black Cable lenth: 15.M</p>
<p>WEL-10000C</p>			<p>Input Voltage: DC12V/24V Working Current: 1500/2000MA Max Head: 300/500CM Max Flow: 1500/2000L/H</p>
<p>WEL-1000C3-24</p>			<p>Input Voltage: DC12V/24V Working Current: 3000/3500MA Max Head: 500/700CM Max Flow: 2000/3000L/H Black Cable lenth: 1.5M</p>

WEL-1000B-T-24			<p>Input Voltage: DC12V/24V Working Current: 2500/3500MA Max Head: 1100/1700CM Max Flow: 900/1200L/H Black Cable lenth:1.5M</p>
WEL-1000C-T-24			<p>Input Voltage: DC12V/24V Working Current: 2500/3500MA Max Head: 1100/1700CM Max Flow: 900/1200L/H Black Cable lenth:1.5M</p>

Remarks: The three types of power cords above (except remarks): 1. The conventional one is 1 meter bare wire wiring, 2. 5.5*2.1 female plug

